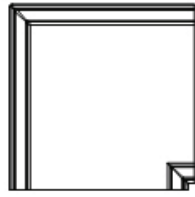




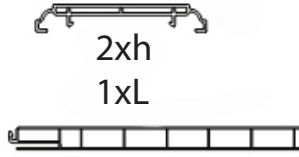
2xH  
1xL



15x

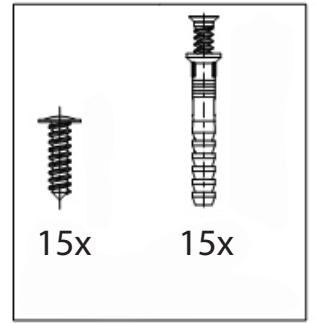


2x



2xh  
1xL

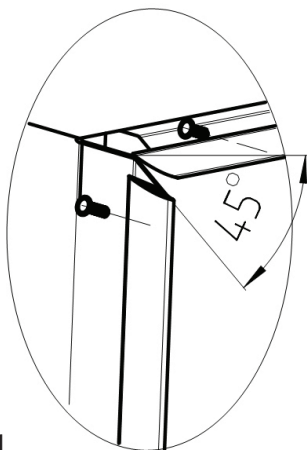
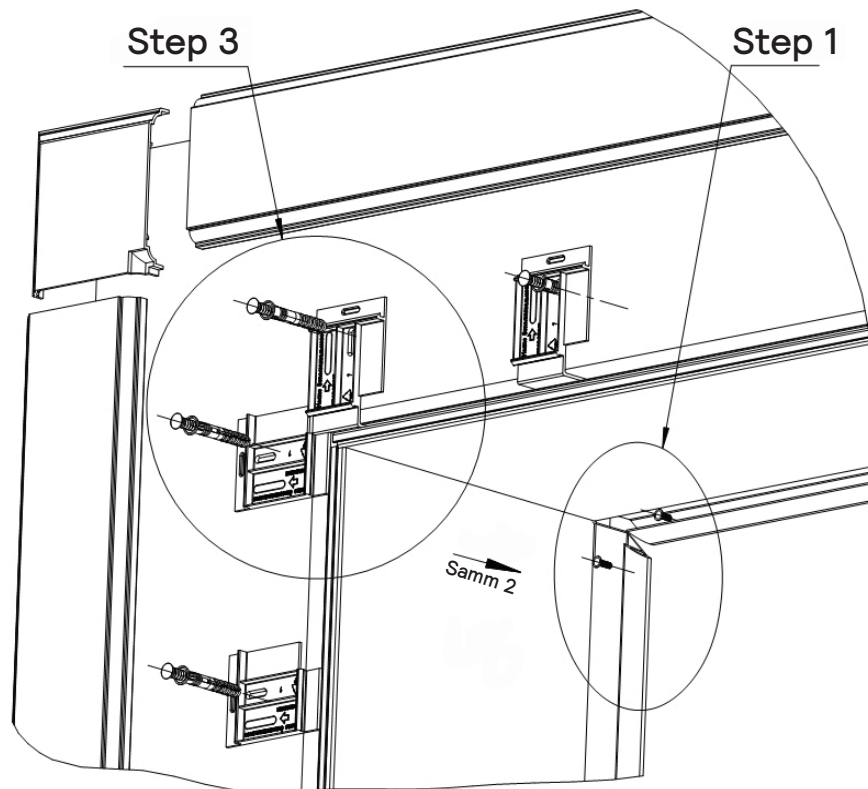
2xH  
1xL



15x

15x

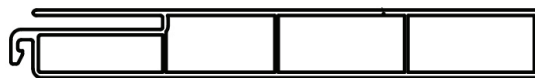
## Instruction



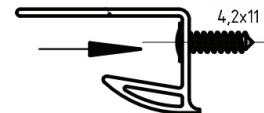
Step 1

Measure the starting profile along the edge of the window frame vertical and horizontal. Cut the ends of the profile 45 degrees below and secure with double sided tape and with screws to the window frame. Screw pitch 300-500mm.

## Step 2

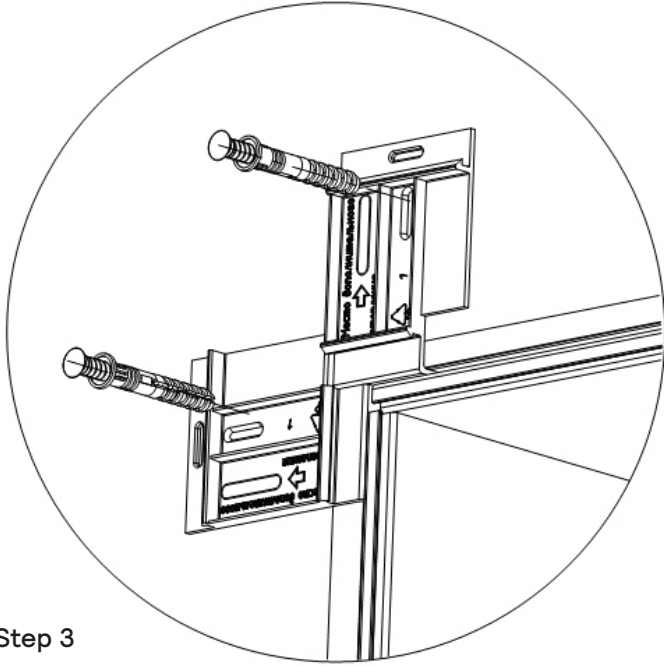


Step 2



Measure the length and depth of the pale. Depth measured from above and below. Depending on the dimensions, cut the palette 2-3 mm smaller than the dimension. Cut the upper palette to the dimensions of the vertical pale. Also leave a margin of 2-3mm.

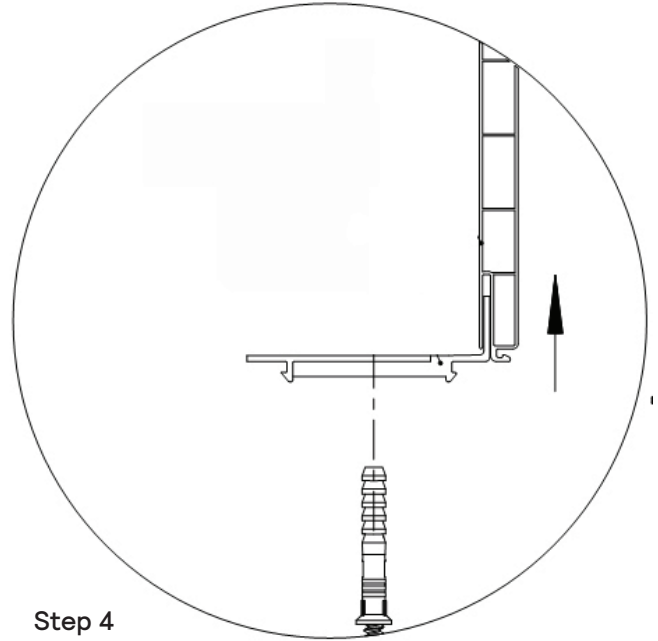
## Step 3



Step 3

Attach slats to the upper corner of the squares as shown in the figure. Afterwards attach the corner covers to the upper brackets.

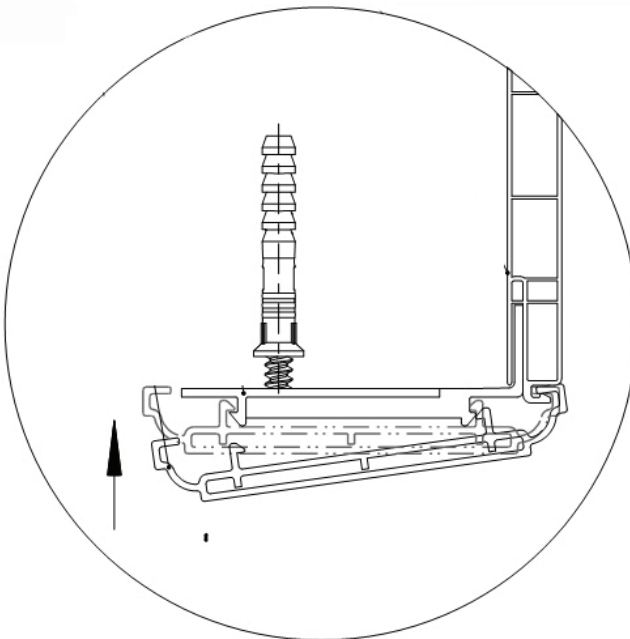
## Step 4



Step 4

Install the rail bracket into the clamping gap of the slab and fasten the clamp to the wall. Clamp spacing 300-500 mm. For normal bales, it is recommended to leave the palate 90 degrees to the window. Deeper sides 400 mm and wider are recommended install the degree out side.

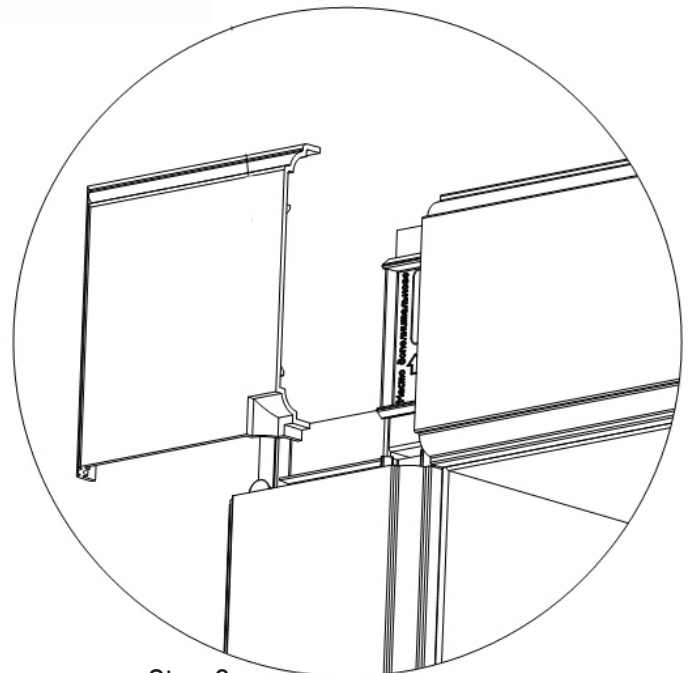
## Step 5



Step 5

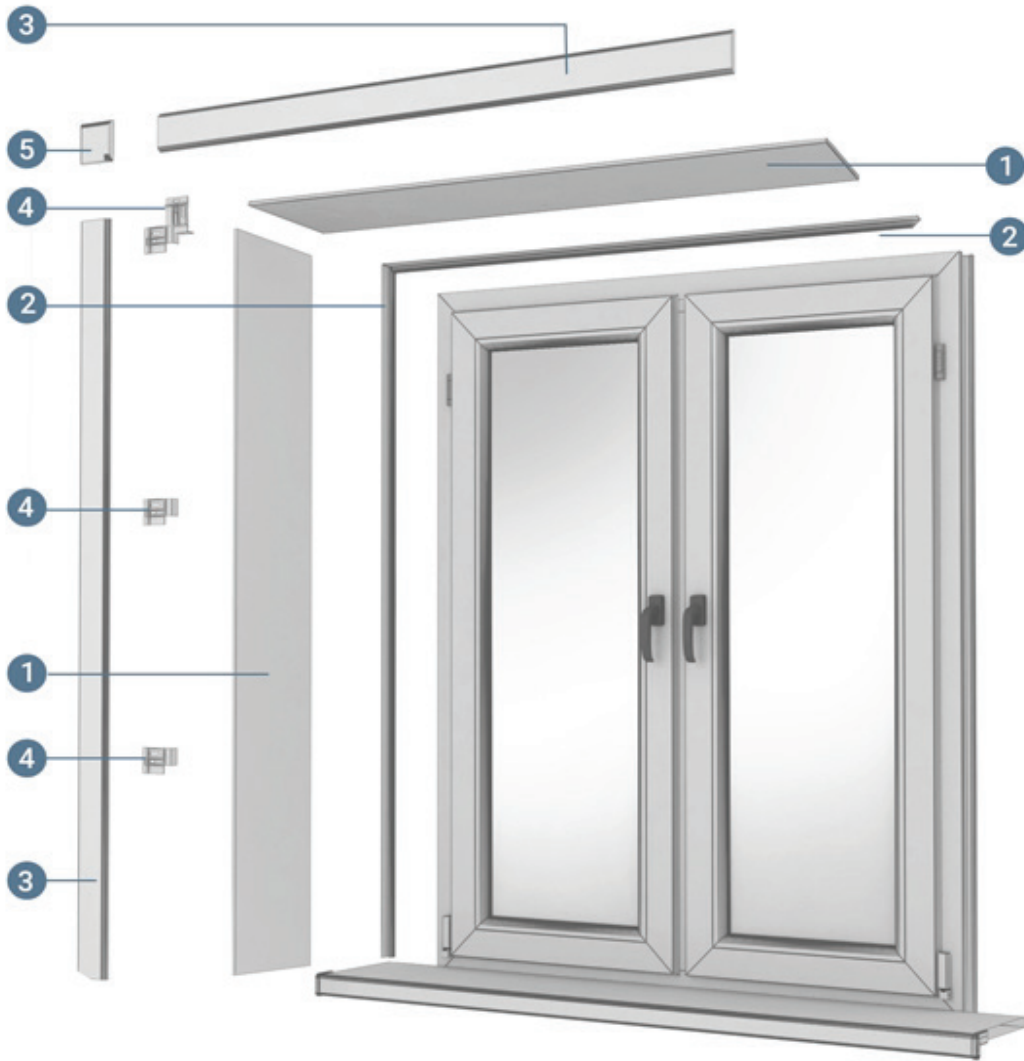
Begin installation of the cover strip by placing the strip edge lock in the edge lock of the boot. Then fix it to the bracket with a light blow/hit.

## Step 6



Step 6

Attach the corner covers to the brackets.



- nr.1 Seals panel
- nr.2 Starting Profile
- nr.3 Cash
- nr.4 Latch
- nr.5 Corner cover